



Exceptional rough terrain capability

- Hydraulic differential lock for improved RT capability
- 35 cm of ground clearance ensures exceptional rough terrain performance
- 4 wheel drive

Excellent manoeuvrability

- Tight turning radius
- Proportional controls for extremely smooth movements



Haulotte 
GROUP

More than lifting

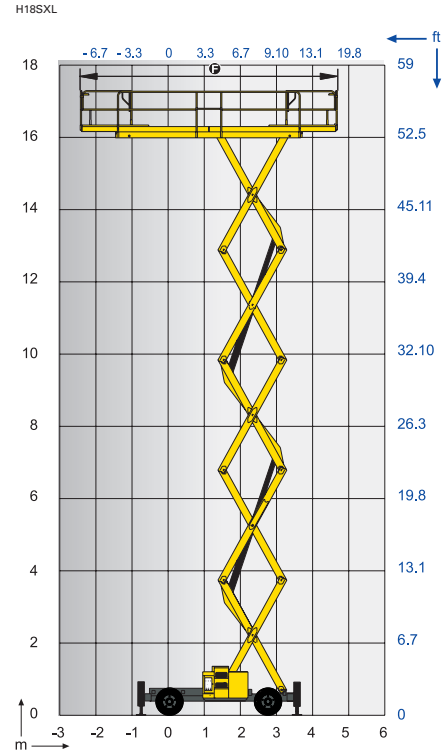
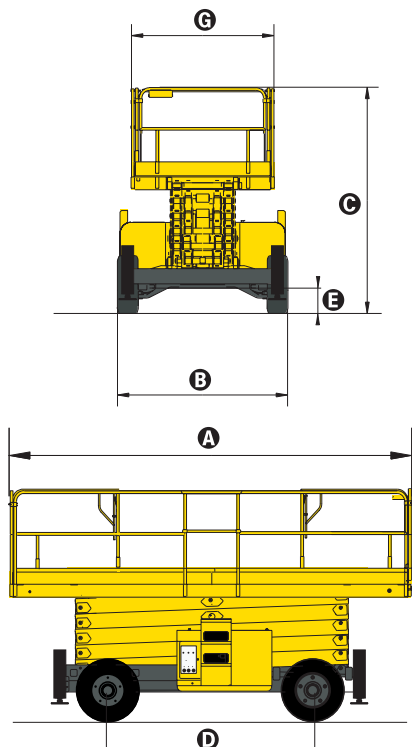


H12 SXL / H15 SXL / H18 SXL

ROUGH TERRAIN SCISSOR LIFTS

TECHNICAL DATA

	H12 SXL	H15 SXL	H18 SXL
Working height	12 m	15 m	18 m
Platform height	10 m	13 m	16 m
Drive speed	0.7 - 6 km/h	0.7 - 6 km/h	0.7 - 6 km/h
Driveable at full height up to	3 m	3 m	3 m
Lift capacity	700 kg	500 kg	500 kg
Length	5.3 m	5.3 m	5.3 m
B Width	2.25 m	2.25 m	2.25 m
C Height - stowed	2.59 m	2.77 m	2.99 m
Storage height	1.71 m	1.91 m	2.11 m
Platform length	5.3 m	5.3 m	5.3 m
A Extended platform length	7.3 m	7.3 m	7.3 m
Platform extension length	1 m	1 m	1 m
G Platform width	1.89 m	1.89 m	1.89 m
D Wheelbase	2.75 m	2.75 m	2.75 m
E Ground clearance	35 cm	35 cm	35 cm
Number of extensions	2	2	2
Turning radius - outside	4.96 m	4.96 m	4.96 m
Lift / lower speed	43 s / 65 s	46 s / 57 s	60 s / 60 s
Engine	23.1 kW - 31.4 hp	23.1 kW - 31.4 hp	23.1 kW - 31.4 hp
Gradeability	45 %	45 %	45 %
Tires - foam-filled	10-16.5	10-16.5	10-16.5
Hydraulic system capacity	100 l	100 l	100 l
Weight	5 610 kg	6 470 kg	7 360 kg



STANDARD EQUIPMENT

- 4 wheel drive (2 wheel steer)
- 2° tilt alarm
- Platform Load Management System
- 12V - 95Ah batteries
- 14V - 50A alternator
- Removable operator's control box
- Free wheeling device
- Hourmeter
- Horn
- Towing hooks
- Hydraulic brakes
- Manual emergency lowering system
- Automatic levelling outrigger

OPTIONS AND ACCESSORIES

- Rotating beacon
- Travel alarm
- Power to platform
- Working light
- Encoded starting device
- Biodegradable hydraulic oil
- Motion alarm for movements and translation
- Non-marking tyres
- Warm environment kit
- 3kW generator

