



Excellent manoeuvrability in the tightest spaces

- Compact size with 1.35 m width
- Stowed height can pass through a standard doorway
- 136° (+64°/-72°) fly jib range of motion
- Tight turning radius (2.4 m)

Optimal productivity and comfort

- 6.5 m outreach
- Long working cycles
- Full proportional controls

Robust, reliable and easy to maintain



Haulotte 
GROUP

More than lifting



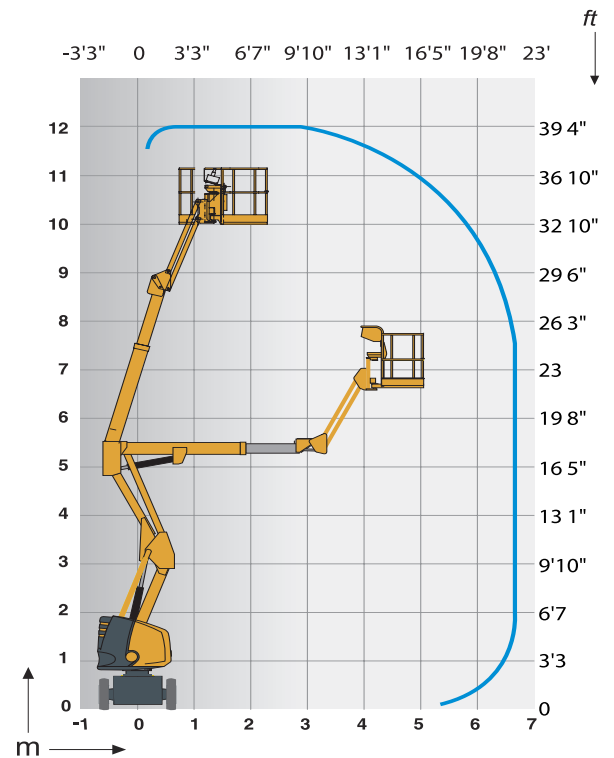
HA12 IP

ELECTRIC ARTICULATING BOOMS

TECHNICAL DATA

HA12 IP

| | |
|-----------------------------------|--------------------|
| Working height | 12 m |
| Platform height | 10 m |
| Horizontal outreach | 6.5 m |
| Up and over clearance | 5.3 m |
| Lift capacity | 230 kg |
| Vertical jib rotation | 136° (+64/-72) |
| A Length | 5.4 m |
| B Width | 1.35 m |
| C Height - stowed | 2.06 m |
| Height - transport | 2.6 m |
| D Wheelbase | 1.8 m |
| E Ground clearance | 16 cm |
| F x G Platform size | 1.2 x 0.8 |
| Tailswing | 0 cm |
| Proportional drive speed | 0.7 - 4.5 km/h |
| Turning radius - outside | 2.4 m |
| Turntable rotation | 355 ° |
| Platform rotation | 170° (+80/-90) |
| Energy | 48 V - 345 Ah (C5) |
| Gradeability | 25 % |
| Tyres - non marking | 6x12" |
| Hydraulic system capacity | 30 l |
| Weight | 5 945 kg |



STANDARD EQUIPMENT

- Semi-traction battery
- Battery charge indicator
- 48 V – 50 A battery charger
- Sensitive control box
- 3° Tilt alarm
- Non marking tyres
- Outside / inside use: wind rated to 45 km/h
- Brake release
- Hourmeter
- Slewing block pin
- Towing hooks and lifting eyes
- Emergency hand pump
- 2 wheel drive and steer
- Load limiter in cage
- Horn

OPTIONS AND ACCESSORIES

- Flashing light
- Power to platform
- Travel alarm
- Centralised battery filling
- 360 Ah traction batteries
- Waterproof batteries
- Air line to cage
- Electric remote brake release
- Biodegradable oil
- Large basket option 1.4m x 0.8m (lift capacity 200 kg)

