



# HT21 RT 0 HT21 RT PRO

## Outstanding performance

- 20.6 m working height
- 15.9 m maximum outreach

## Optimal productivity

- Best lifting speed 56 sec
- Fully proportional and simultaneous movements

## Best comfort and safety feeling

- Rigid boom
- Single control for both steering axles

## Optimized maintenance time

- Easy access to all components
- Easy boom maintenance
- Exclusive modular basket, easy and quick to repair
- Haulotte Activ'Shield™ Bar (PRO model)
- ACTIV'Screen onboard colored monitor screen and diagnostic system



**Haulotte**   
GROUP

More than lifting





# HT21 RT 0 / RT PRO

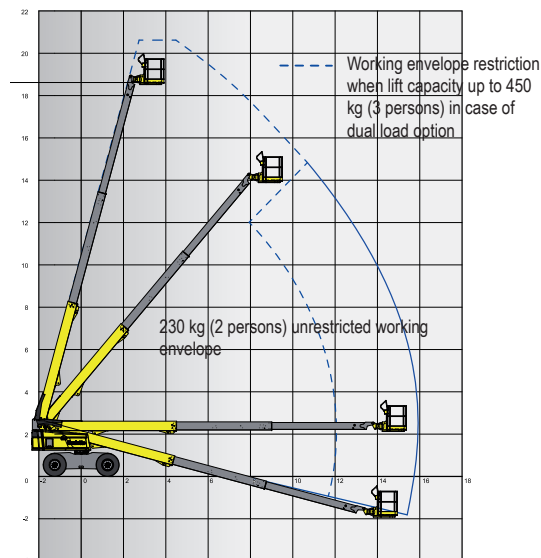
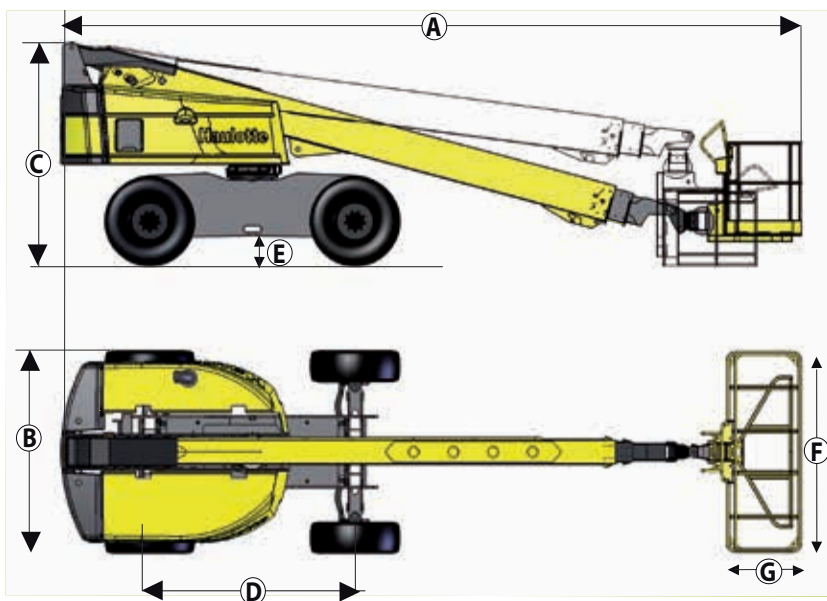
ROUGH TERRAIN TELESCOPIC BOOMS

## TECHNICAL DATA

**HT21 RT 0**  
2WS

**HT21 RT PRO**  
4WS

Working height	20.6 m	
Platform height	18.6 m	
Horizontal outreach	15.9 m	
Below ground reach	2 m	
Lift capacity	230 kg (2 persons)	
<b>F</b> x <b>G</b> Platform size	2.44 x 0.91 m	
<b>A</b> Length - stowed	9 m	
<b>B</b> Width	2.47 m	
<b>C</b> Height - stowed	2.7 m	
Platform rotation	175° (+85/-90)	
Boom rotation angle	90° (+75/-15)	
Turntable rotation	360° continuous	
Tailswing	109 cm	
<b>D</b> Wheelbase	2.5 m	
<b>E</b> Ground clearance	34 cm	
Tilt	5°	
Drive speed	0.5 - 6.5 km/h	
Gradeability	40 %	
Turning radius - outside	6,3 m	3,4 m
Tires - foam-filled	385/65 - 22.5	
Engine	TIER 4 interim / Stage 3A Kubota 36.5 kW - 48.9 hp	
Weight	11 340 kg	11 420 kg



## STANDARD EQUIPMENT

- 4 wheel drive / 2 (0) or 4 (PRO) wheel steer
- Automatic differential wheel lock increase rough terrain capacity
- Front oscillating axle
- Proportional controls enhance comfort and safety
- 4 simultaneous movements for maximum productivity
- 230 kg / 500 lbs load capacity unrestricted working envelope
- Large modular basket 2.44 x 0.91 m, drop entry gate
- Upper control box protection cover and tool tray in ultra-solid composite
- Prepared for power to platform 110 / 230 V
- Basket limitation +/- 10°
- ACTIVScreen onboard colored monitor screen and diagnostic system
- Swing out engine tray for ease of maintenance
- Hour meter
- Low fuel level indicator (upper control box)
- Engine pre-heater with light indicator
- Sound and light alarm for tilt and load
- Maximum wind speed 45 km/h / 28 mph
- 12 V battery
- Electric pump system and emergency descent
- Rotating beacon
- Driving alarm
- Haulotte ActivShield™ Bar PRO model (for Europe and Latin America)

## OPTIONS AND ACCESSORIES

- Dual load capacity 230 / 450 kg (2 / 3 persons)
- Narrow modular platform: 1.83 m x 0.8 m
- Lateral Swing door entry gate
- Power to platform (Female plug in the basket with or without circuit-breaker 30mA)
- 60 km/h wind speed / 37 mph
- 3.5 kW, 6.5 kW, 12 kW (Only NA) hydraulic generator
- Pipe cradle pack
- Glazier pack
- Warm environment package
- Cold weather package / Kit Arctic
- Biodegradable hydraulic oil
- Air line to platform 13 mm / 1/2 inc inner diameter
- Work lights
- Haulotte ActivShield™ Bar PRO model (outside Europe and Latin America)

400076030 - Non contractual document - We reserve the right to modify the technical characteristics of this document without notice - 02/2016

