

1230ES MAST LIFT

Platform

- Self-closing saloon style gates
- Removable platform console box
- Lanyard attach points
- Full proportional drive joystick control with integral thumb steer switch
- Proportional lift/lower speed control
- Joystick enable for lift and drive

Power & Transmission

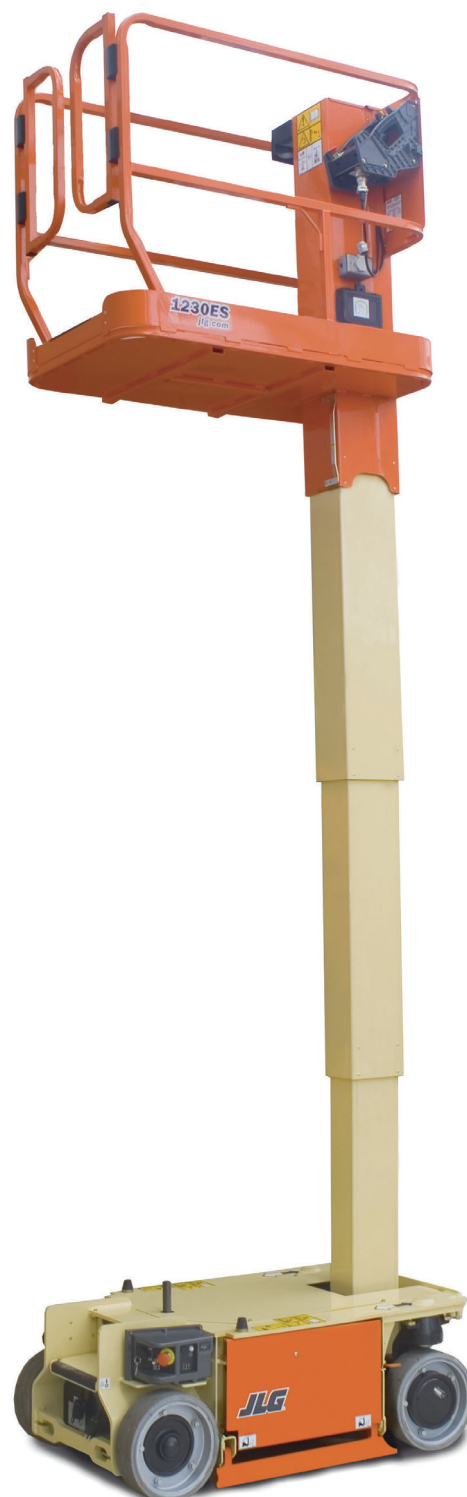
- 4 x 6V 220 A/hr deep cycle batteries
- Automatic positive traction
- Programmable “Personality” settings
- On-board self-diagnostic testing
- Swing-out battery/electrical compartment doors
- 20 amp automatic battery charger
- Dual motor direct electric front wheel drive & steer
- Dual wheel automatic brakes
- Emergency brake release

Functional Equipment & Accessories

- Pothole protection system
- AC cable to platform
- Battery condition indicator
- Hour meter
- 3 section steel mast
- Manual descent
- Horn
- Non-marking solid tyres (323 x 100)
- Slope alarm and light
- Tie down lugs

Available Options

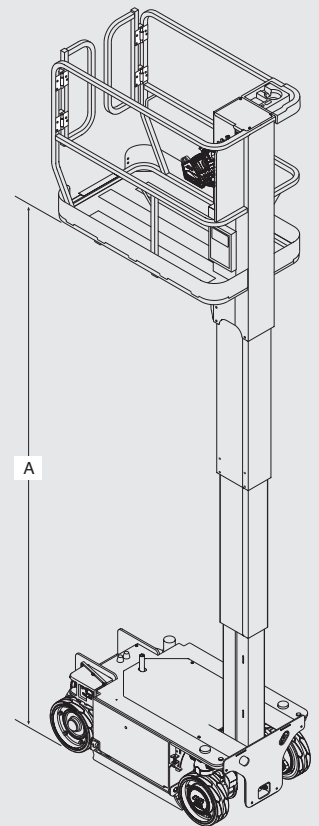
- 220A/hr maintenance free AGM batteries in lieu of standard
- All motion alarm
- Descent alarm
- Alarm package ¹
- Amber strobe light
- Plugs & Sockets



¹ Includes all-motion alarm and amber strobe light.

1230ES MAST LIFT

Working Height	5.66 m
A. Platform Height – Elevated	3.66 m
B. Platform Height – Lowered	0.52 m
C. Platform Rail Height	1.10 m
D. Stowed Height	1.65 m
E. Platform Size (W x L)	0.69 m x 1.26 m
F. Overall Length	1.36 m
G. Overall Width	0.76 m
H. Wheelbase	1.04 m
I. Ground Clearance (Stowed)	6.5 cm
Platform Capacity ¹	230 kg
Lift / Lower Time	12 / 12 sec.
Maximum Drive Height	3.66 m
Weight ²	790 kg
Maximum Ground Bearing Pressure	8.65 kg/cm ²
Drive Speed Lowered	4.8 km/h
Drive Speed Elevated	0.8 km/h
Gradeability	25%
Turning Radius – Inside	11 cm
Turning Radius – Outside	1.46 m
Tyres (Non-Marking Solid)	323 x 100
Brakes	Automatic Spring Applied
Drive	24V Electric 6 kW
Batteries	4 x 6V 220 A/hr
Charger (120/240V – 50/60Hz)	20 Amp Automatic
Hydraulic System	4.0 L



JLG Industries, Inc. is a leading designer and manufacturer of access equipment and complementary services and attachments.

JLG has manufacturing facilities in the United States, France, Romania, China and Belgium. Customers throughout Europe, Scandinavia, Africa and the Middle East benefit from a network of dedicated sales and service operations designed to deliver the highest levels of support.

JLG is an Oshkosh Corporation company.

www.jlgeurope.com

¹ Capacity - 1 person + tools and equipment up to maximum 230kg.

² Certain options or country standards may increase weight and/or dimensions.

