

M400AJPn ARTICULATING BOOM LIFTS

Platform

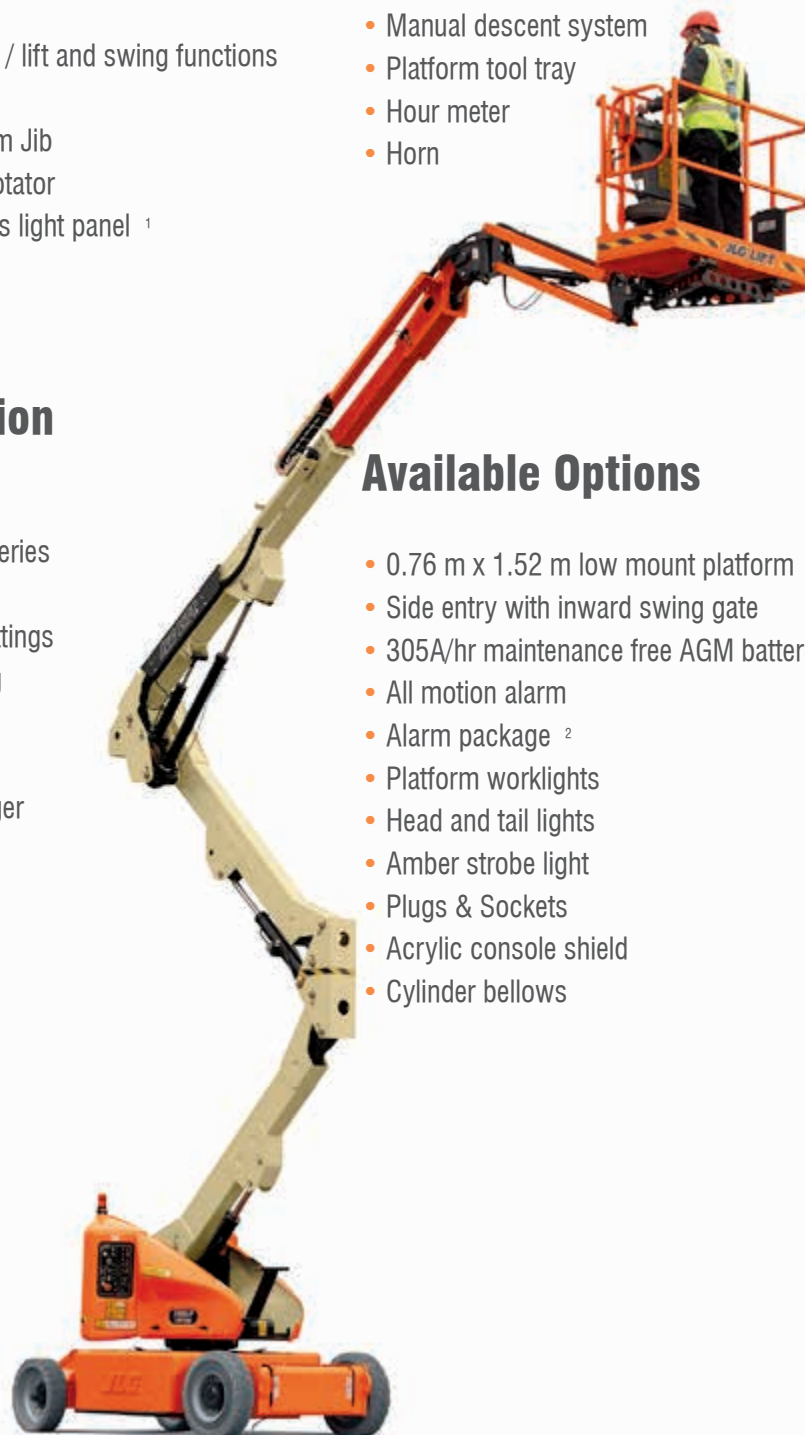
- 0.76 m x 1.22 m low mount platform
- Side entry with drop bar mid rail
- Multiple function operation
- Full proportional drive joystick control with integral thumb steer switch
- Full proportional main boom and swing joystick control
- Multiple speed control for lower boom, telescope, jib and platform rotate
- Selectable creep speed on drive / lift and swing functions
- 1.22 m articulating jib
- JibPLUS® with 4 way axis 1.22m Jib
- 180 degree powered platform rotator
- Platform console machine status light panel ¹
- Load sensing system
- AC power cable to platform

Power & Transmission

- Two Wheel Direct Electric Drive
- 8 x 6V 370 A/hr deep cycle batteries
- Automatic traction control
- Programmable “Personality” settings
- On-board self-diagnostic testing
- Enclosed battery / electrical compartment
- 20 amp automatic battery charger
- Automatic rear wheel brakes
- Sculptured ABS hoods

Functional Equipment & Accessories

- 3 degree tilt alarm and indicator light
- Non mark solid rubber tyres
- 1.50m narrow frame
- Lifting/tie down lugs
- Ground control selector switch with key lock
- Battery condition indicator
- Manual descent system
- Platform tool tray
- Hour meter
- Horn



Available Options

- 0.76 m x 1.52 m low mount platform
- Side entry with inward swing gate
- 305A/hr maintenance free AGM batteries in lieu of standard
- All motion alarm
- Alarm package ²
- Platform worklights
- Head and tail lights
- Amber strobe light
- Plugs & Sockets
- Acrylic console shield
- Cylinder bellows

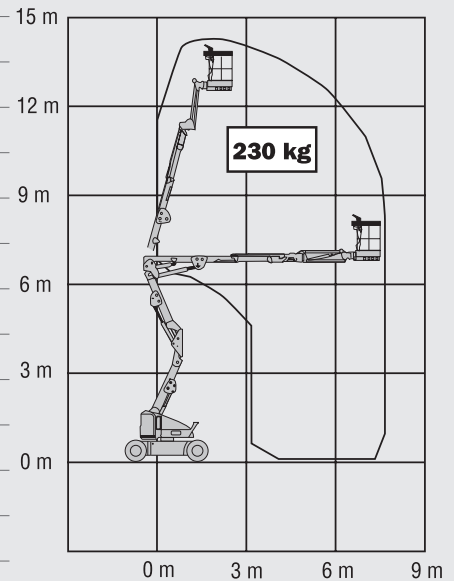
¹ Provides indicator lights at platform control console for system distress, low battery, tilt light, and foot switch status.

² Includes all-motion alarm and amber strobe light.

M400AJPn

ARTICULATING BOOM LIFTS

Platform Height	12.19 m
Horizontal Outreach	6.83 m
Up and Over Height	6.55 m
Swing (non-continuous)	360°
Platform Capacity - Unrestricted	230 kg
Platform Rotator (Hydraulic)	180°
Jib - Overall Length	1.24 m
Jib - Range of articulation	144° (+84°/-60°)
JibPLUS® - Range of articulation	180° Horizontal
A. Platform Size	0.76 m x 1.22 m
B. Overall Width	1.50 m
C. Tailswing (working condition)	0.10 m
D. Stowed Height	1.97 m
E. Stowed Length	6.71 m
F. Wheelbase	2.01 m
G. Ground Clearance	0.13 m
Machine weight ¹	6,850 kg
Maximum Ground Bearing Pressure	13.0 kg/cm ²
Drive Speed	4.8 km/h
Gradeability	30%
Tyres	22 x 6 x 17.05 (front) Solid Non-mark 25 x 7-12 (rear) Solid Non-mark
Turning Radius - Inside	0.86 m
Turning Radius - Outside	3.15 m
Electrical System	48V DC
Batteries	8 x 6V 370 A/hr
Drive Motors	Dual Electric Traction
Brakes	Automatic Spring Applied
Hydraulic Motor	Perm. Magnet
Hydraulic Pump	Gear Pump
Hydraulic Reservoir	20 L
Generator Set - Fully Automatic	Kubota OC60 Air-cooled 5 kW
Generator Fuel Tank	15 L



JLG Industries, Inc. is a leading designer and manufacturer of access equipment and complementary services and attachments.

JLG has manufacturing facilities in the United States, France, Romania, China and Belgium. Customers throughout Europe, Scandinavia, Africa and the Middle East benefit from a network of dedicated sales and service operations designed to deliver the highest levels of support.

JLG is an Oshkosh Corporation company.

www.jlgeurope.com

¹ Certain options or country standards may increase weight and/or dimensions.

