



SJ45 T TELESCOPIC BOOM

STANDARD FEATURES

- Drivable at full height
- Axle based 4WD
- "No Spin" differential and limited slip front differential
- Oscillating axle
- Wet disc SAHR brakes (rear axle)
- 35.8 kw (48 HP) diesel engine
- Swing out engine tray
- Swing up fiberglass cowlings
- 360° continuous turret rotation
- Direction sensing drive and steer controls
- Proportional controls
- Relay based control system
- Colour coded and numbered wiring system
- 50% gradeability
- Grip lug foam-filled tyres
- Wiring for AC outlet on platform
- Tilt alarm with drive cut-out
- Overload sensing system
- Operator horn
- Modular platform railing system
- Tri-entry sliding mid-rail
- Lanyard attachment points
- Tie down/lifting lugs

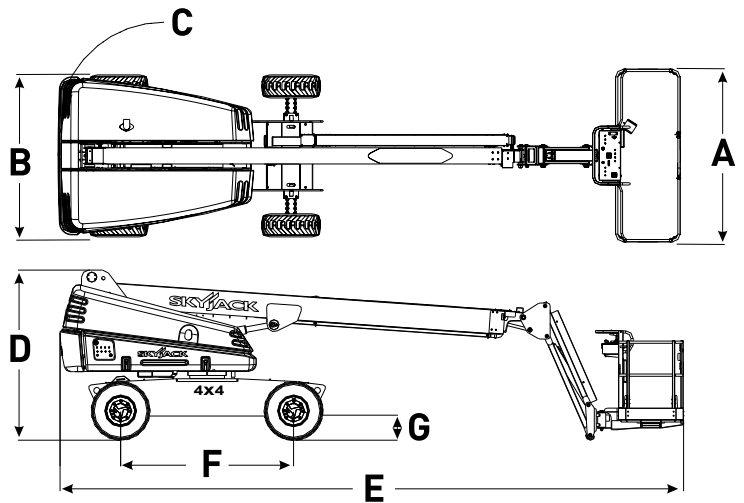
ACCESSORIES AND OPTIONS

- 0.91 x 2.44 m Platform
- 3.5kW generator (Includes hydraulic oil cooler)
- Diesel scrubber
- Hydraulic oil cooler
- Flashing light
- Airline to platform
- All motion alarm
- Rear Gate
- Control box cover
- Auxiliary top rail (0.91 x 2.44 m platform only)
- Secondary Guarding (electrical or mechanical)

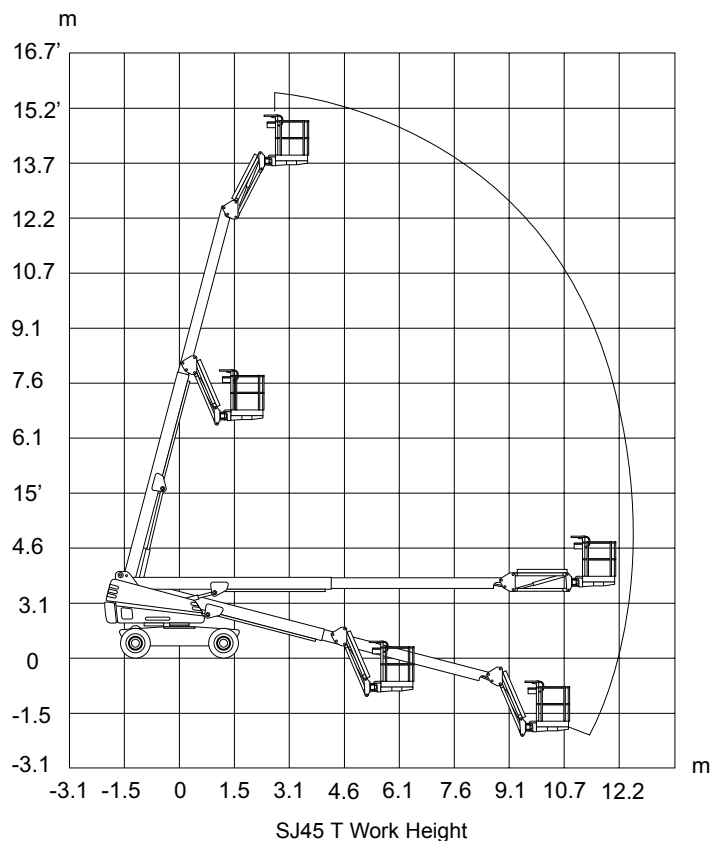
* Capacities, and machine weights may differ when options are added.

SJ45 T TELESCOPIC BOOMS

| Dimensions | SJ45 T |
|---------------------------|---------------|
| Work Height | 15.77 m |
| Platform Height | 13.77 m |
| Horizontal Reach | 12.12 m |
| A Platform Size | 0.91 x 1.83 m |
| B Stowed Width | 2.29 m |
| C Tailswing | 0.94 m |
| D Stowed Height | 2.39 m |
| E Stowed Length | 8.79 m |
| F Wheelbase | 2.44 m |
| G Ground Clearance | 0.28 m |



| Specifications | SJ45 T |
|--------------------------------------|----------------------|
| Rotation | 360° Continuous |
| Platform Rotation | 170° |
| Jib Length | 1.52 m |
| Jib Range +/- | +65° / -60° |
| Weight | 7,100 kg |
| Gradeability | 50% |
| Turning Radius (Inside) | 2.13 m |
| Turning Radius (Outside) | 5.03 m |
| Axle Oscillation | 12.70 cm |
| Drive Speed (High speed) | 7.2 km/h |
| Capacity | 227 kg |
| Local Floor Load (With Rated Load) | 930 kPa |
| Overall Floor Load (With Rated Load) | 9.5 kPa |
| Maximum # of Persons | 2 |
| Tyre Type | Grip lug foam-filled |
| Tyre Size | 12 x 16.5 |
| Diesel Engine | 35.8 kw (48 HP) |
| Fuel Tank Capacity | 170 L |
| Hydraulic Reservoir | 223 L |



Skyjack UK
 Unit 1, Maes-y-Clawdd
 Maesbury Road Industrial Estate
 Oswestry, Shropshire, SY10 8NN
 Tel: +44 1691 676235
 Fax: +44 1691 676239
 Email: info@skyjackeurope.co.uk

Skyjack SAS (France)
 ZI Le Clairin
 69700 Saint Romain en Gier
 France
 Tel: +33 (0) 4 78 73 53 32
 Tel: +33 (0) 4 78 73 05 68
 Fax: +33 (0) 4 78 56 52 42

Skyjack Hebebühnen GmbH (Germany)
 Därmannsbusch 2a
 D-58456 Witten
 Tel: +49 (0) 2302 20 26 909
 Fax: +49 (0) 2302 20 25 671

Skyjack AB (Sweden)
 Agnesbergsvägen 28
 424 38 Agnesberg
 Sweden
 Tel: +46 (0) 31 21 22 45
 Fax: +46 (0) 31 787 65 10

www.skyjack.com