

ZOOMLION

ARTICULATING BOOM LIFT

ZA26J

Comply with CE Standard



HIGHLIGHTS

- ▶ Large work range, max work height of 28.2m, max outreach of 19.4m, and up and over height of 9.48m
- ▶ Build-in multiple pressure control leveling system to enhance stability
- ▶ Precise load sensing system to improve overload safety operations
- ▶ Pump control + valve control for accurate flow distribution
- ▶ Outstanding below ground reach of 6.5m (16ft 9in)
- ▶ Jib, main boom and tower boom limit position buffer for comfort operation
- ▶ Platform fast lifting function provides high-efficient performance without tower boom operation
- ▶ Small stowed size, able to access container for transportation for lower transporting cost

FEATURES

Standard Features

Horn
All motion alarm
Proportional control
Self-closing entry gate
Flashing beacon
Auto-leveling system
Emergency stop button
Over tilt protection system
Emergency descent system
On-board diagnostic system
Oscillating axle
4.3' LED display
Load sensing system
Swing-out engine tray

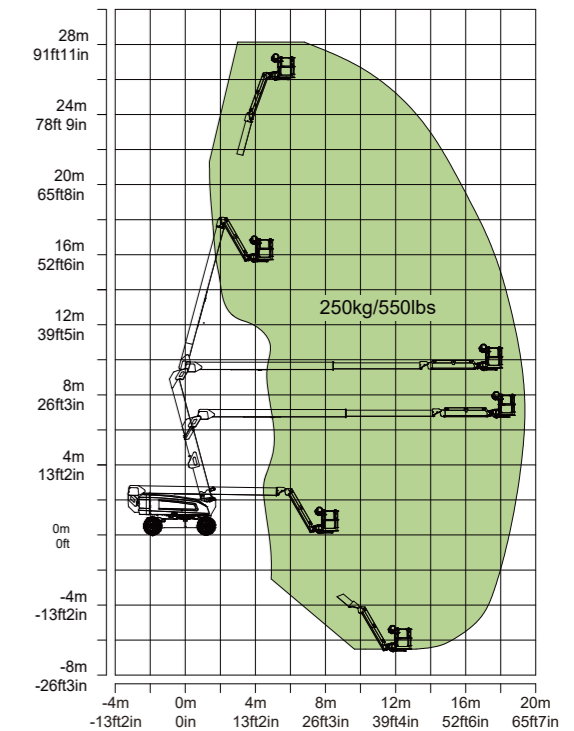
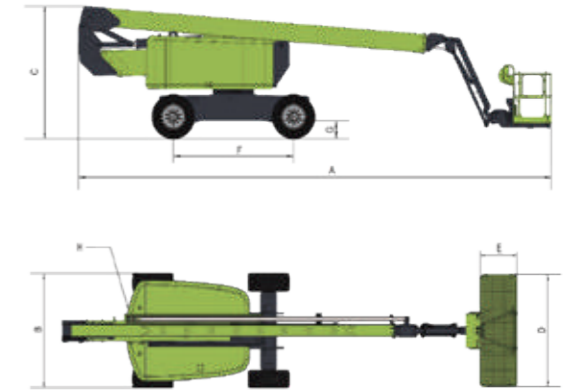
Accessories & Options

- ▶ Platform work lights
- ▶ Anti-collision device
- ▶ AC power to platform

ACCESS WITH ZOOMLION GREEN



Model	ZA26J	
	Imperial	Metric
Size		
Work Height	92ft 6in	28.2m
Platform Height	85ft 11in	26.2m
Horizontal Outreach	63ft 8in	19.4m
Up and Over Height	31ft 1in	9.48m
A - Stowed Length	38ft 7in	11.75m
B - Stowed Width	8ft 2in	2.49m
C - Stowed Height	9ft 3in	2.82m
D - Platform Length	8ft	2.44m
E - Platform Width	2ft 12in	0.91m
F - Wheelbase	10ft	3.05m
G - Ground Clearance	1ft 5in	0.42m
Performance		
Platform Capacity	550 lb	250kg
Drive Speed	3.11 mph	5.0km/h
Gradeability	45%(24°)	
Axles Oscillation	8in	0.2m
Turning Radius (Inside)	10ft 4in	3.14m
Turning Radius (Outside)	21ft 3in	6.48m
Turntable Swing	360° continuous	
Platform Rotation	±90°	
H-Tail Swing	4ft 8in	1.422m
Max. Working Slope	5°	
Max. Wind Speed	28mph	12.5m/s
Power		
Diesel Engine	Kubota V2607/KubotaV3307	
Fuel Tank Capacity	39.6 (us gal)	150L
Auxiliary Power	12V	
Control Voltage	12V	
Hydraulic System Capacity	69.5 (us gal)	263L
Hydraulic Tank Capacity	47.6 (us gal)	180L
Tire		
Type	Foam-filled Tires	
Weight		
Gross	41447 lb	18800kg



Range of Motion ZA26J

AJ Access Platforms Ltd, Pill Way, Severn Bridge Industrial Estate,
 Caldicot Monmouthshire, NP26 5PU, UK
 Phone: +44 (0) 1291 421 155
 Email: info@accessplatforms.com, sales@accessplatforms.com
 Web: www.accessplatforms.com

[Get Pricing](#)

