

ZOOMLION TELESCOPIC BOOM LIFT ZT14J

Comply with CE/ANSI/CSA Standard



HIGHLIGHTS

- ▶ 300kg/454kg dual capacity for flexible application
- ▶ Smooth leveling and good steering sensitivity
- ▶ Euro V emission, green and environmental protection
- ▶ Compact design and folded jib, easy to transport

FEATURES

Standard Features

Horn
Proportional control
All motion alarm
Flashing beacon
Self-closing entry gate
Emergency descent system
Emergency stop button
Auto-leveling system
On-board diagnostic system
Tilt protection system
Oscillating axle
4.3' Led display
Swing-out engine tray
Anti-crushing device

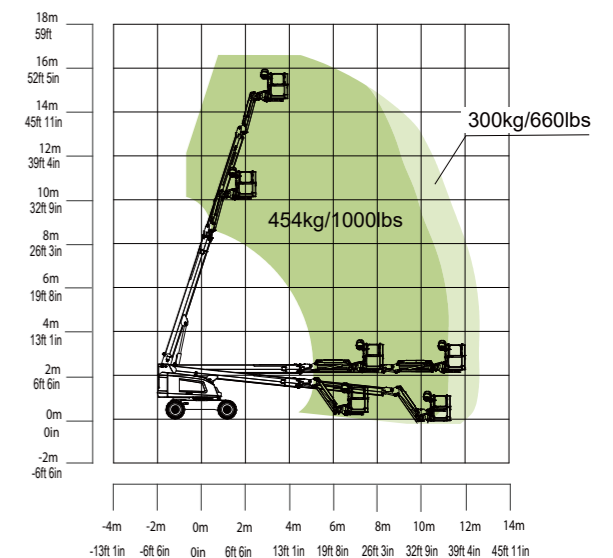
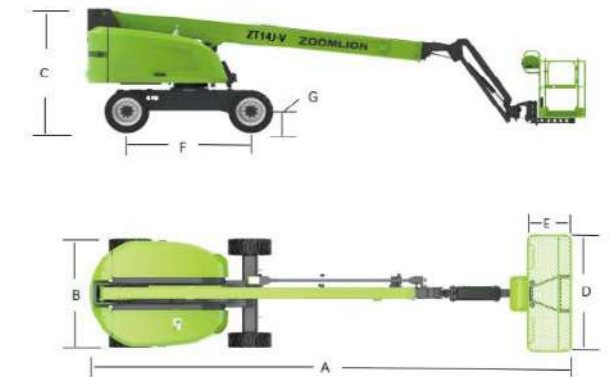
Accessories & Options

- ▶ Platform work light
- ▶ Anti-collision device
- ▶ AC power to platform

ACCESS WITH ZOOMLION GREEN



Model	ZT14J	
	Imperial	Metric
Size		
Work Height	54ft 6in	16.6m
Platform Height	47ft 11in	14.6m
Horizontal Outreach	41ft 8in	12.7m
A - Stowed Length	31ft 6in	9.6m
B - Stowed Width	7ft 6in	2.28m
C - Stowed Height	8ft 3in	2.52m
D - Platform Length	8ft	2.44m
E - Platform Width	3ft	0.91m
F - Wheelbase	7ft 9in	2.36m
Tread	7ft 6in	2.28m
G - Ground Clearance	1ft 2in	0.36m
Performance		
Platform Capacity (Unrestricted/Restricted)	660/1000lb	300/454kg
Drive Speed (Stowed)	3.42mph	5.5km/h
Gradeability	45% (24°)	45% (24°)
Turning Radius (Inside)	6ft 9in	2.06m
Turning Radius (Outside)	15ft 8in	4.78m
Turntable Swing	360° continuous	
Platform Rotation	±90°	
Tail Swing	2ft 11in	0.9m
Max. Wind Speed	28mph	12.5m/s
Power		
Engine	KUBOTA V2403 (Stage V) KUBOTA V2403 (Stage III)	
Fuel Tank Capacity	39.6 (us gal)	150L
Control Voltage	12V DC	
Hydraulic Tank Capacity	23.8 gal	90L
Drive Mode	4WD	
Steering Mode	Front-wheel	
Tire		
Type	Foam-filled tire	
Weight		
Gross	18739lb	8500kg



Range of Motion ZT14J

AJ Access Platforms Ltd, Pill Way, Severn Bridge Industrial Estate,
Caldicot Monmouthshire, NP26 5PU, UK
Phone: +44 (0) 1291 421 155
Email: info@accessplatforms.com, sales@accessplatforms.com
Web: www.accessplatforms.com

[Get Pricing](#)

