

ZOOMLION

ELECTRIC TELESCOPIC BOOM LIFT

ZT14JE/ZT14JE-Li

Comply with CE/ANSI/CSA Standard



HIGHLIGHTS

- ▶ Pure electric power features green, environmental protection and zero-emission
- ▶ Accurate traveling AC system and boom movement AC driving system provide strong power and stable control, with maintenance-free motor
- ▶ Common design with high reliability and easy to use
- ▶ Independent auxiliary power system for safety protection
- ▶ Compact design and folded jib, easy to transport

FEATURES

Standard Features

Horn
Proportional control
All motion alarm
Flashing beacon
Self-closing entry gate
Emergency descent system
Emergency stop button
Auto-leveling system
On-board diagnostic system
Tilt protection system
Oscillating axle
Load sensing system

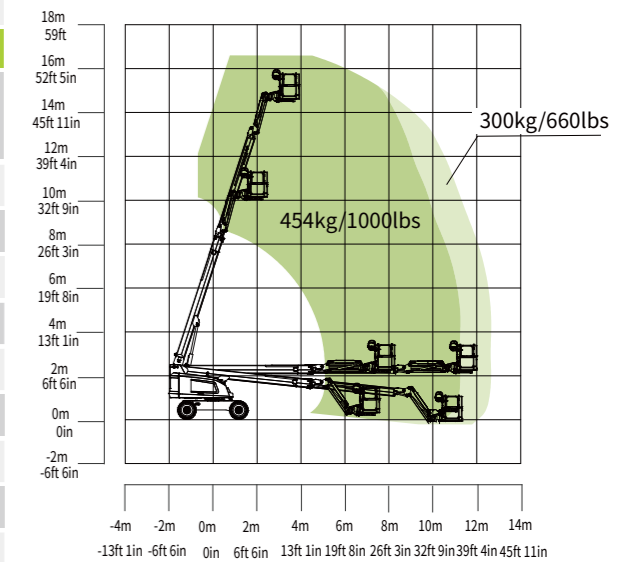
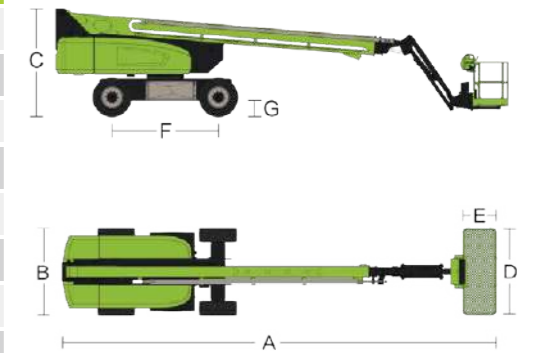
Accessories & Options

- ▶ Platform work light
- ▶ Anti-collision device
- ▶ AC power to platform

ACCESS WITH ZOOMLION GREEN



Model	ZT14JE/ZT14JE-Li	
	Imperial	Metric
Size		
Work Height	54ft5in	16.6m
Platform Height	47ft11in	14.6m
Horizontal Outreach	41ft8in	12.7m
A - Stowed Length	31ft6in	9.6m
B - Stowed Width	7ft6in	2.28m
C - Stowed Height	8ft3in	2.52m
D - Platform Length	8ft	2.44m
E - Platform Width	3ft	0.91m
F - Wheelbase	7ft9in	2.36m
Tread	7ft 6in	2.28m
G - Ground Clearance	1ft2in	0.36m
Performance		
Platform Capacity (Unrestricted/Restricted)	660/1000lb	300/454kg
Drive Speed (Stowed)	3.42mph	5.5km/h
Gradeability	45% (24°)	45% (24°)
Turning Radius (Inside)	6ft 9in	2.06m
Turning Radius (Outside)	15ft 8in	4.78m
Turntable Swing	360° continuous	
Platform Rotation	±90°	
Tail Swing	2ft 11in	0.9m
Jib Rotation	130° (-55°~75°)	
Max. Wind Speed	28mph	12.5m/s
Power		
Battery	48V/315Ah	
Charger	48V/40A (Lead acid)	48V/60A (Lithium)
Drive Motor	3.3KW	
Lifting Motor	10kW	
Auxiliary Power	12V DC	
Hydraulic Tank	19 gal	75L
Tire		
Type	Foam-filled tire	
Weight		
Gross	18739lb	8500kg



Range of Motion ZT14JE/ZT14JE-Li

AJ Access Platforms Ltd, Pill Way, Severn Bridge Industrial Estate,
 Caldicot Monmouthshire, NP26 5PU, UK
 Phone: +44 (0) 1291 421 155
 Email: info@accessplatforms.com, sales@accessplatforms.com
 Web: www.accessplatforms.com

[Get Pricing](#)

