

# SJ3215/19

## ELECTRIC SCISSORS



### STANDARD FEATURES

- Drivable at full height
- Variable speed, front two wheel hydraulic drive
- 90° Steering (zero inside turning radius)
- Dual holding brakes
- SKYCODED™ Color coded and numbered wiring system
- RAPIDFOLD hinged railing system (SJ3219 only)
- On-board visual interface with diagnostic capabilities
- Shroud style, impact resistant composite control box with extended cable
- Proportional controls for drive & lift functions
- Tilt sensor (3.5° x 1.5°)
- 3' (0.91 m) Roll out extension deck
- 24V DC Power source
- Low voltage battery protection
- 25% Gradeability
- Solid rubber, non-marking tires
- Pothole protection system
- 110V AC Outlet on platform with GFI
- 28 mph (12.5 m/s) Wind rating
- Tilt alarm with drive & lift cut-out
- All motion audible alarm
- Lanyard attachment points
- Operator horn
- Forklift pockets and tie down / lift lugs
- Overload sensing system
- Fold down hinged railing system (SJ3215 only)
- Half height spring hinged entry gate
- Telematics ready
- 5-Year parts warranty on standard charger and controller
- 2-Year Gold Leaf Warranty (5-year structural warranty)

### OPTIONS

- Light duty pipe rack
- Heavy duty pipe rack
- Board carrier
- Tool caddy
- Flashing light
- Dual flashing lights
- 800W AC Inverter
- 250 Ah Batteries (cannot be combined with EE rating package)
- AGM Batteries
- Lockable swingout trays
- EE Rating package (not available with telematics keypad)
- Full height spring hinged entry gate
- Bio oil
- Secondary Guarding Lift Enable (SGLE)
- Non-destructive testing
- ELEVATE telematics (3-year or 5-year plans available)
- ELEVATE Battery Management System (BMS) \*
- Warranty options (3-year or 5-year plans available)

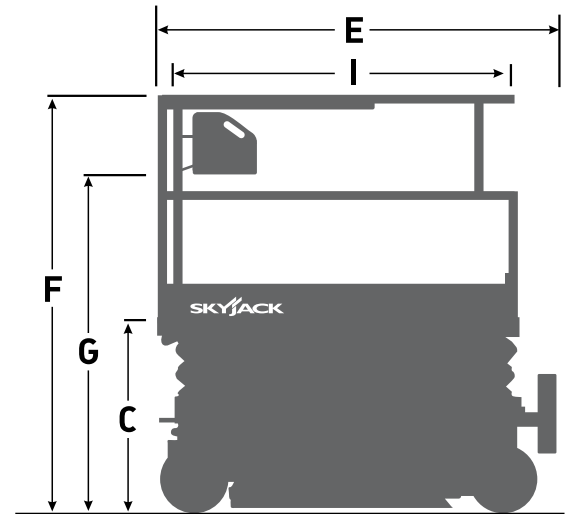
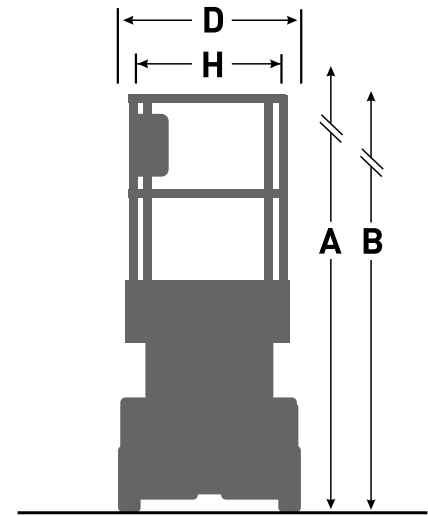
† Standard lead times may be increased when optional equipment is added, consult factory.

‡ Capacities and machine weights may differ when options are added.

\* Only available with ELEVATE telematics

# SJ3215/19 ELECTRIC SCISSORS

| Dimensions   | SJ3215                           | SJ3219                             |
|--|----------------------------------|------------------------------------|
| <b>A</b> Work Height                                     | 20' 7" (6.27 m)                  | 24' 6" (7.48 m)                    |
| <b>B</b> Raised Platform Height                          | 14' 7" (4.44 m)                  | 18' 6" (5.64 m)                    |
| <b>C</b> Lowered Platform Height                         | 36" (0.91 m)                     | 41" (1.04 m)                       |
| <b>D</b> Overall Width                                   | 32" (0.81 m)                     | 32" (0.81 m)                       |
| <b>E</b> Overall Length                                  | 71" (1.80 m)                     | 71" (1.80 m)                       |
| <b>F</b> Stowed Height (Rails Up)                        | 79.5" (2.03 m)                   | 84" (2.13 m)                       |
| <b>G</b> Stowed Height (Rails Down)                      | 66" (1.67 m)                     | 79.75" (2.02 m)                    |
| <b>H</b> Platform Width (Inside Dimension)               | 26" (0.66 m)                     | 26" (0.66 m)                       |
| <b>I</b> Platform Length (Inside Dimension)              | 61" (1.55 m)                     | 61" (1.55 m)                       |
| Specifications   | SJ3215                           | SJ3219                             |
| Extension Deck (Roll Out)                                | 3' (0.91 m)                      | 3' (0.91 m)                        |
| Ground Clearance (Pothole Raised)                        | 3.5" (8.9 cm)                    | 3.5" (8.9 cm)                      |
| Ground Clearance (Pothole Deployed)                      | 0.5" (1.3 cm)                    | 0.5" (1.3 cm)                      |
| Wheelbase  | 54" (1.37 m)                     | 54" (1.37 m)                       |
| Weight   | 2,531 lbs (1,148 kg)             | 3,255 lbs (1,476 kg)               |
| Gradeability   | 25%                              | 25%                                |
| Turning Radius (Inside)                                  | 0                                | 0                                  |
| Turning Radius (Outside)                                 | 65" (1.65 m)                     | 65" (1.65 m)                       |
| Lift Time (With Rated Load)                              | 17 sec                           | 19 sec                             |
| Lower time (With Rated Load)                             | 16 sec                           | 25 sec                             |
| Drive Speed (Stowed)                                     | 2.1 mph (3.4 km/h)               | 2.1 mph (3.4 km/h)                 |
| Drive Speed (Raised)                                     | 0.7 mph (1.1 km/h)               | 0.7 mph (1.1 km/h)                 |
| Maximum Drive Height                                     | Full Height                      | Full Height                        |
| Capacity (Overall)                                       | 600 lbs (272 kg)                 | 500 lbs (227 kg)                   |
| Distributed Capacity (Main Platform)                     | 350 lbs (159 kg)                 | 250 lbs (113 kg)                   |
| Distributed Capacity (Extension Deck)                    | 250 lbs (113 kg)                 | 250 lbs (113 kg)                   |
| Local Floor Load (With Rated Load)                       | 159 psi (1,093 kPa)              | 168 psi (1,159 kPa)                |
| Overall Floor Load (With Rated Load)                     | 203 psf (991 kg/m <sup>2</sup> ) | 243 psf (1,188 kg/m <sup>2</sup> ) |
| Maximum # of persons at 0 mph (0 m/s) wind rating        | 2                                | 2                                  |
| Maximum # of persons up to 28 mph (12.5 m/s) wind rating | 1                                | 1                                  |
| Tire Type  | Solid, N/M                       | Solid, N/M                         |
| Tire Size  | 12 x 4 x 8                       | 12 x 4 x 8                         |



Skyjack Head Office  
 55 Campbell Rd. Guelph, ON Canada N1H 1B9  
 Sales Inquiries: 1-877-755-4387 (1-877-SJLIFTS)  
 Main Switchboard: 1-800-265-2738  
 Phone: 519-837-0888  
 Fax: 519-837-8104  
 Email: skyjack@skyjack.com

[www.skyjack.com](http://www.skyjack.com)

**SKYJACK**  
 simply reliable