



SJ45 AJ+

ARTICULATING BOOMS

STANDARD FEATURES

- EASYDRIVE™ Direction sensing drive and steer controls
- SKYRISER™ True vertical rise
- AXLDRIIVE™ Axle-based 4WD system
- Operator controlled locking rear differential and limited slip front differential
- Oscillating steer axle
- Drivable at full height
- 40% Gradeability
- Wet disc SAHR brakes (rear axle)
- Dual module control system with SKYCODED™ color coded and numbered wiring
- Kubota D1305 Tier 4F diesel engine
- Swing up cowlings for easy access
- Lockable power disconnect switch
- Proportional controls
- 660 lbs Capacity
- 30 x 72" Platform
- Bolt-in platform railing system
- Lanyard attachment points
- Dual-entry sliding mid rails
- Secondary Guarding Electrical (SGE)
- Overload sensing system
- 110V AC Outlet on platform with GFI
- Tilt alarm (5.0° x 5.0°) with drive and lift cut-out
- Single point emergency lowering
- Hourmeter
- Operator horn
- All motion alarm
- 355° Non-continuous turret rotation
- Tie down/lifting lugs
- Grip lug solid tires
- Telematics ready
- 2 Year Gold Leaf Warranty (5 year structural warranty)

ACCESSORIES

- Pipe rack
- Glazier kit
- Tool caddy

OPTIONS

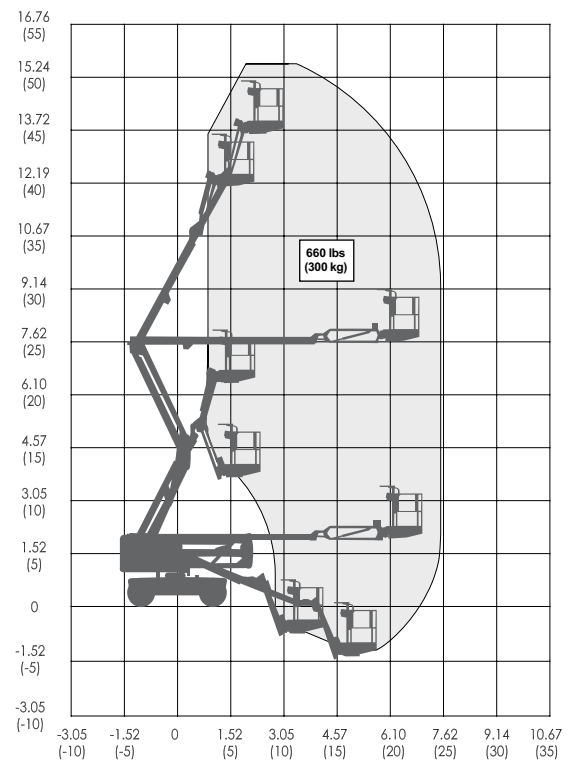
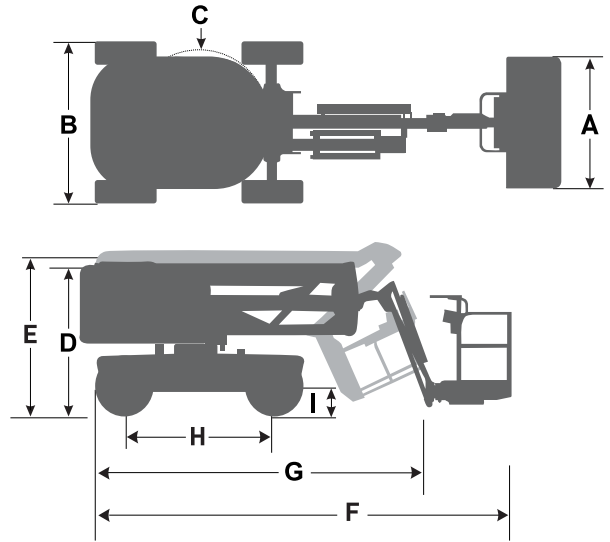
- Kubota WG972 dual fuel engine
- Flashing light
- 30 x 60" Platform
- Side spring hinged entry gate
- Auxiliary top rail (30 x 72" platform only)
- 3.5 kW generator
- Welder ready package
(Includes 7.5 kW generator, 3-phase power connection in platform, and welder mount)
- Welder package
(Includes 7.5 kW generator, 3-phase power connection in platform, welder mount, and Lincoln V275-S welder)
- Cold weather start kit*
*Recommended for regions where average monthly low temperatures can reach -0.4°F / -10°C (Includes cold start engine oil, battery blanket, and hydraulic tank heater)
- Arctic weather package*
*Recommended for regions where average monthly low temperatures can reach -0.4°F / -18°C (Includes arctic engine oil, battery blanket, hydraulic tank heater, block heater, arctic hydraulic oil, and arctic gear oil in the axles and swing drive. Glow plugs, arctic hydraulic hoses (all), arctic platform rotator and oversized foot switch cover are also included (standard equipment).)
- Control box cover
- Diesel scrubber for tier 4 final engine
- Positive air shut-off valve (diesel only)
- Bio oil
- Non destructive testing
- Grip lug solid non-marking tires
- ELEVATE telematics

† Standard lead times may be increased when optional equipment is added, consult factory.
‡ Capacities and machine weights may differ when options are added.

SJ45 AJ+ ARTICULATING BOOMS

Dimensions	SJ45 AJ+
Work Height	51' (15.54 m)
Platform Height	45' (13.72 m)
Horizontal Reach	22' 9" (6.93 m)
Up and Over Height	24' 5.25" (7.45 m)
A Platform Size	30" x 72" (0.76 x 1.83 m)
B Stowed Width	7' 6" (2.29 m)
C Tailswing	2' (0.61 m)
D Stowed Height	6' 9" (2.06 m)
E Transportation Height	7' 1" (2.16 m)
F Stowed Length	19' 8" (6.00 m)
G Transportation Length	15' 7" (4.75 m)
H Wheelbase	6' 8" (2.03 m)
I Ground Clearance	15.25" (0.39 m)

Specifications	SJ45 AJ+
Rotation	355° NC
Platform Rotation	170°
Jib Length	4' 8" (1.40 m)
Jib Range +/-	+70° / -75°
Weight	11,190 lbs (5,075 kg)
Gradeability	40%
Turning Radius (Inside)	4' 11.25" (1.50 m)
Turning Radius (Outside)	14' 3" (4.34 m)
Axle Oscillation	5" (12.70 cm)
Drive Speed (High speed)	2.5 mph (4.0 km/h)
Capacity	660 lbs (300 kg)
Maximum Wind Rating	28 mph (12.5 m/s)
Personnel Rating at Max Wind Rating	2
Tire Type	Solid
Tire Size	10 x 31
Diesel Engine	Kubota D1305 - 24.8 HP (18.5 KW)
Fuel Tank Capacity	17 gal. (64 L)
Hydraulic Reservoir	24 gal. (91 L)



SJ45 AJ+ WORKING ENVELOPE



AJ Access Platforms Ltd
 Pill Way, Severn Bridge Industrial Estate,
 Caldicot Monmouthshire, NP26 5PU, UK
 Phone: +44 (0) 1291 421 155
 Email: info@accessplatforms.com, sales@accessplatforms.com
 Web: www.accessplatforms.com

