



## STANDARD SPECIFICATIONS

Performance	Indoor	Outdoor
Platform Height (Elevated)	19-ft / 5.8-m	19-ft / 5.8-m
Platform Capacity	606-lb / 275-kg	606-lb / 275-kg
Capacity on Platform Extension	265-lb / 120-kg	265-lb / 120-kg
Number of Occupants	2	1
Lift / Lower Time	24/26 seconds	24/26 seconds
Maximum Drive Height (Indoor) Weight*	Fully Elevated 3,450-lb / 1,565-kg	Fully Elevated 3,450-lb / 1,565-kg
Ground Bearing Pressure	150 psi	150 psi
Drive Speed (Elevated)	0.5 mph / .8 km/h	0.5 mph / .8 km/h
Drive Speed (Lowered)	4 mph / 6.4 km/h	4 mph / 6.4 km/h
Gradeability	25%	25%
Max Tilt Rating (Side-to-Side)	1.75 Degrees	1.5 Degrees
Max Tilt Rating (Fore and Aft)	3.75 Degrees	3.75 Degrees
Turning Radius (Inside)	Zero	Zero
Turning Radius (Outside)	66-in /1.7-m	66-in /1.7-m

\*Certain options or country standards increase weight

### Power Source

Battery	Single 24V Lithium Ion, 72 Ah
Charger	27 amp, 650W
Drive	24V AC

### Lift & Steer Systems

Lift System	Fully Electric
Steer System	Fully Electric

### Tires

Tire Size / Type (Non-Marking)	12.5 x 4-in / 323 x 100-mm
--------------------------------	----------------------------

### Brakes

Multi-Disc Friction

## KEY SPECS

### Platform Height

19-ft / 5.8-m

### Platform Capacity

606-lb / 275-kg - 20% improvement

### Charge Time

3.5 hours - 3X improvement

### Stowed Drive Speed

4 mph / 5.2 km/h - 2X improvement

## KEY FEATURES

- This model sets a new industry benchmark with almost no maintenance, with a new diagnostic and analyzer tool that can be used on any smart device.
- Delivers class-leading, single lithium ion battery power that lasts the life of the machine.
- Delivers a quick charge in five minutes for 100-ft of drive plus enough torque for loading.
- Efficient AC drive motors provide 4 mph stowed drive speed, while independent wheel motor control reduces tire wear and limits damage to sensitive flooring.

## ACCESSORIES & OPTIONS

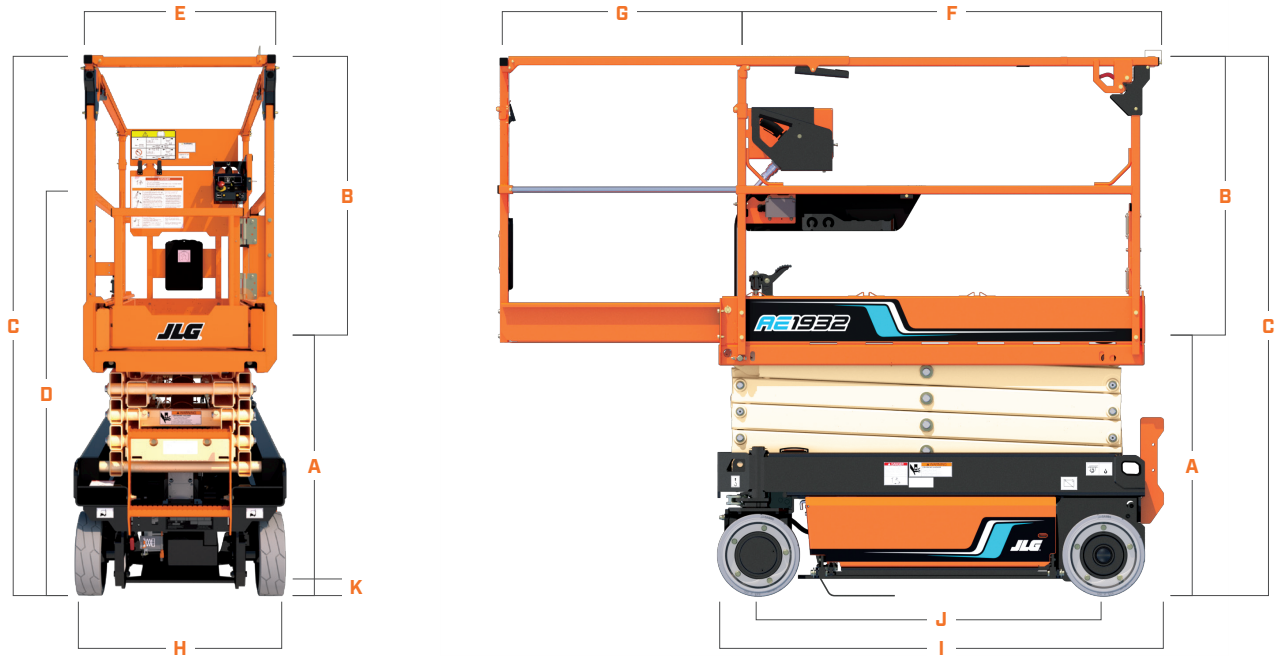
- 900W CAN-Charger (Full charge in 2.5 hrs)
- 900W Inverter
- Anti-Vandalism Package
- ClearSky™
- Coiled Platform Control Box Cable
- Dual LED Flashing Amber Beacon
- Flashing Amber Beacon
- LCD Platform Control Box
- QuikAccess Platform
- White Noise Alarm

## STANDARD FEATURES

- 5-Year Lithium Ion Battery Warranty
- 650W CAN-Charger (3.5 hr full charge)
- AC Electric Drive
- AC Receptacle in Platform
- Active Pothole Protection System
- All Motion Alarm
- ANSI A92.20 Compliant
- Battery Condition Indicator
- CAN-Enabled Charger
- DaVinciGO App For Intelligent Diagnostics
- Diamond Tread Steel Deck
- Drive Motor Covers
- Dynamic Braking
- Electric Brake Release
- Foot-Actuated Deck Extension
- Fork Lift Pockets
- Greaseless Kingpin Joints
- Horn
- Hourmeter
- JLG® Mobile Control
- Lanyard Attach Points
- Lifting and Tie Down Points
- Load Sensing System
- Lubrication Free Scissor Arm Bushings
- Manual Descent Cable
- Movable, Removable Platform Control
- Nickel Plated Pins
- Proportional Controls
- Quick Charge
- QuikFold Rails
- Removable Ladder
- Scissor Maintenance Prop
- Self-Closing Gate
- Steel Drop-Down Doors
- Tilt Alarm and Light
- USB Charger & Phone Holder
- Variable Tilt Visual Zone Indicator
- Zero leak points

## DIMENSIONS

All dimensions are approximate



<b>A.</b> Platform Height (Lowered)	38.7-in / .982-m	<b>G.</b> Platform Extension	36.0-in / 91.0-cm
<b>B.</b> Platform Railing Height	44.4-in / 1.28-m	<b>H.</b> Machine Width	32.0-in / 81.0-m
<b>C.</b> Machine Height (Rails Raised)	83.2-in / 2.11-m	<b>I.</b> Machine Length	68.7-in / 1.7-m
<b>D.</b> Machine Height (Rails Lowered)	78.2-in / 1.99-m	<b>J.</b> Wheelbase	53.0-in / 1.3-m
<b>E.</b> Platform Width	25.4-in / .64-m	<b>K.</b> Ground Clearance (Pothole Protection Not Deployed)	2.8-in / 7.0-m
<b>F.</b> Platform Length	62.7-in / 1.59-m		



### AJ Access Platforms Ltd

Pill Way, Severn Bridge Industrial Estate, Caldicot Monmouthshire, NP26 5PU, United Kingdom.  
Phone: +44 (0) 1291 421 155 Email: [info@accessplatforms.com](mailto:info@accessplatforms.com), [sales@accessplatforms.com](mailto:sales@accessplatforms.com)



We provide coverage for one (1) full year, and cover all specified major structural components for five (5) years. Due to continuous product improvements, we reserve the right to make specification and/or equipment changes without prior notification. This machine meets or exceeds applicable ANSI and CSA requirements based on machine configuration as originally manufactured for intended applications. Please reference the serial number plate on the machine for additional information.



**JLG INDUSTRIES, INC.**  
Toll-free US 877-JLG-LIFT  
[JLG.com](http://JLG.com)

An Oshkosh Corporation Company